

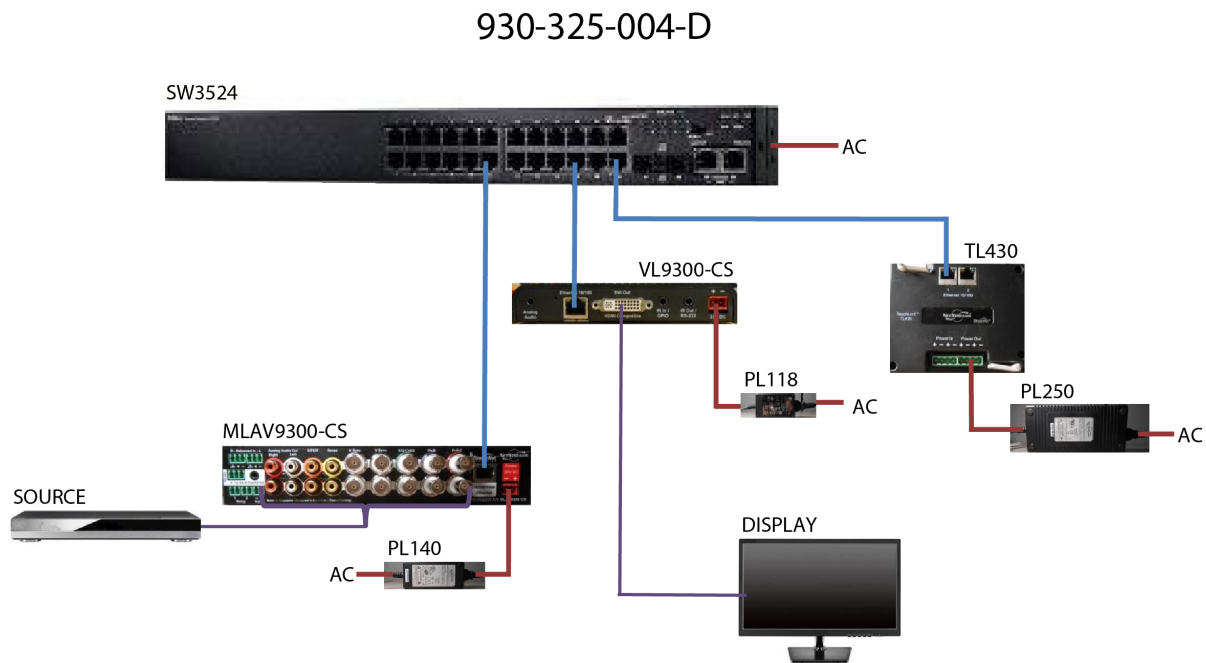
# StreamNet™

## DEMO KIT CONFIGURATION PROCEDURE

To properly configure the StreamNet Demo Kit, complete the following steps:

1. Ensure you have the most recent copy of the Dealer Setup program installed on your PC. This can be downloaded from the ClearOne website ([http://www.clearone.com/resources#enterprise\\_streaming](http://www.clearone.com/resources#enterprise_streaming), [http://www.clearone.com/resources#residential\\_streaming](http://www.clearone.com/resources#residential_streaming)).
2. Ensure that you have downloaded the latest Dealer Setup Manual from the ClearOne website ([http://www.clearone.com/resources#enterprise\\_streaming](http://www.clearone.com/resources#enterprise_streaming), [http://www.clearone.com/resources#residential\\_streaming](http://www.clearone.com/resources#residential_streaming)).
3. Connect the Demo Kit as shown in the following figure.
4. Use directions from the Dealer Setup manual to perform the following tasks:  
Start the Dealer Setup program and use the Dealer Setup Wizard to:
  - Update device firmware.
  - Create a project.
  - Save the project file.
  - Match devices.
  - Send the configuration to all devices.

### > WIRING DIAGRAM



### > CLEARONE LOCATIONS

#### HEADQUARTERS:

**Salt Lake City, UT USA**  
5225 Wiley Post Way  
Suite 500  
Salt Lake City, UT 84116

**Tel:** 801-975-7200  
**Toll Free:** 800-945-7730  
**Sales:** 800-707-6994  
**Fax:** 801-977-0087  
**e-mail:** [sales@ClearOne.com](mailto:sales@ClearOne.com)

**LATAM**  
**Tel:** 801-974-3621  
**e-mail:** [global@ClearOne.com](mailto:global@ClearOne.com)

**EMEA**  
**Tel:** 44 (0) 1189 036 053  
**e-mail:** [global@ClearOne.com](mailto:global@ClearOne.com)

**APAC**  
**Tel:** 801-303-3388  
**e-mail:** [global@ClearOne.com](mailto:global@ClearOne.com)

**TechSales**  
**Tel:** 800-705-2103  
**e-mail:** [techsales@ClearOne.com](mailto:techsales@ClearOne.com)

**Technical Support**  
**Tel:** 800-283-5936  
**e-mail:** [tech.support@ClearOne.com](mailto:tech.support@ClearOne.com)