

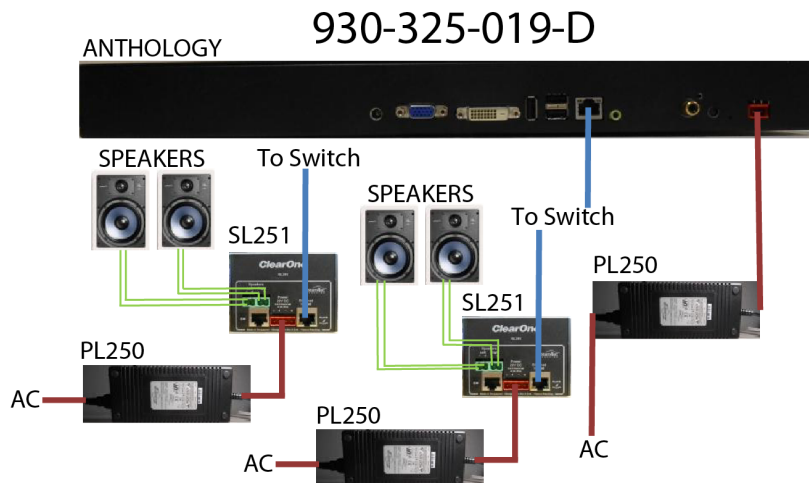
StreamNet™

DEMO KIT CONFIGURATION PROCEDURE

To properly configure the StreamNet Demo Kit, complete the following steps:

1. Ensure you have the most recent copy of the Dealer Setup program installed on your PC. This can be downloaded from the ClearOne website (http://www.clearone.com/resources#enterprise_streaming, http://www.clearone.com/resources#residential_streaming).
2. Ensure that you have downloaded the latest Dealer Setup Manual from the ClearOne website (http://www.clearone.com/resources#enterprise_streaming, http://www.clearone.com/resources#residential_streaming).
3. Connect the Demo Kit as shown in the following figure.
4. Use directions from the Dealer Setup manual to perform the following tasks:
Start the Dealer Setup program and use the Dealer Setup Wizard to:
 - Update device firmware.
 - Create a project.
 - Save the project file.
 - Match devices.
 - Send the configuration to all devices.

> WIRING DIAGRAM



> CLEARONE LOCATIONS

HEADQUARTERS:

Salt Lake City, UT USA
5225 Wiley Post Way
Suite 500
Salt Lake City, UT 84116

Tel: 801-975-7200
Toll Free: 800-945-7730
Sales: 800-707-6994
Fax: 801-977-0087
e-mail: sales@ClearOne.com

LATAM

Tel: 801-974-3621
e-mail: global@ClearOne.com

EMEA

Tel: 44 (0) 1189 036 053
e-mail: global@ClearOne.com

APAC

Tel: 801-303-3388
e-mail: global@ClearOne.com

TechSales

Tel: 800-705-2103
e-mail: techsales@ClearOne.com

Technical Support

Tel: 800-283-5936
e-mail: tech.support@ClearOne.com