

## APPLICATION NOTE

**PRODUCTS SUPPORTED:**  
 CONVERGE® Pro models: 880, 880T, 880TA, 840T, 8i, TH20, VH20, SR1212, SR1212A, INTERACT® Pro, INTERACT Pro 8i and AMP2200

CLEARONE DOCUMENT NTS-0015-001  
 (REVISION 1.0) March, 2013

### USING THE AMP2200 WITH CONVERGE PRO OR INTERACT PRO AUDIO SYSTEMS

#### OVERVIEW

This document explains how to connect and use CONVERGE Pro and INTERACT Pro audio systems with a ClearOne AMP2200 amplifier:

CONVERGE Pro System		INTERACT System
• 880	• TH20	• INTERACT Pro
• 880T	• VH20	• INTERACT Pro 8i
• 880TA	• SR1212	
• 840T	• SR1212A	
• 8i		

The ClearOne CONVERGE Pro and INTERACT Pro have analog, balanced audio outputs that are used to pass audio from the audio conferencing unit to analog audio inputs on another device such as an audio amplifier, video conferencing unit, audio recorder, etc.

The CONVERGE Pro and INTERACT Pro audio output connectors are 3-pin mini phoenix-type connectors. The AMP2200 is a two-channel audio amplifier that delivers 200 watts into 8 ohms impedance. The AMP2200 has three different audio input types per channel.

- XLR – Standard XLR female connection
- TRS – ¼" Tip, Ring, Sleeve, female connection
- EIM - Expansion Interface Module, RJ45 connection

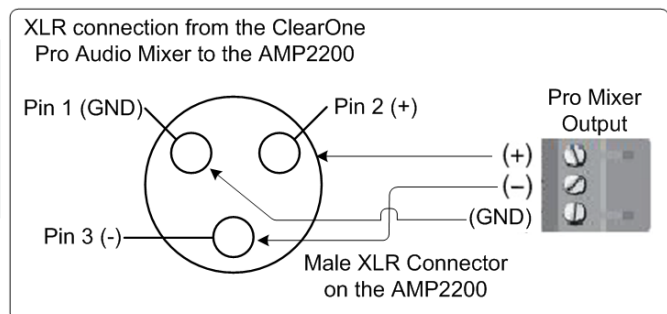
The XLR and TRS are balanced audio connections, while the EIM is an unbalanced audio connection. Because the EIM port is an unbalanced audio connection, it is not a recommend means of connection, however, this document will cover this connection.

#### Cables

Cables must be created to connect the outputs of the CONVERGE Pro or INTERACT Pro to the selected AMP2200 input. Use the following diagrams for pinouts while constructing the cables for your audio connections:

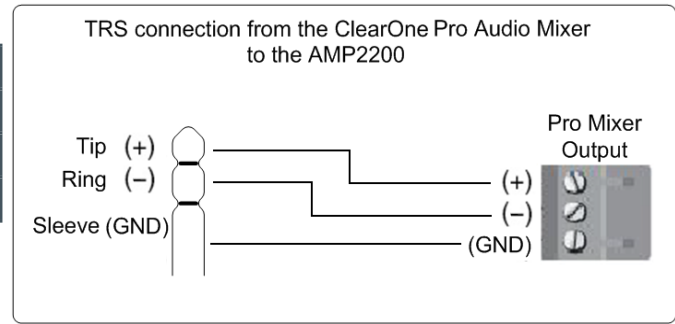
#### XLR Connection

Signal	XLR	Mixer
Ground	1	3
Audio +	2	1
Audio -	3	2



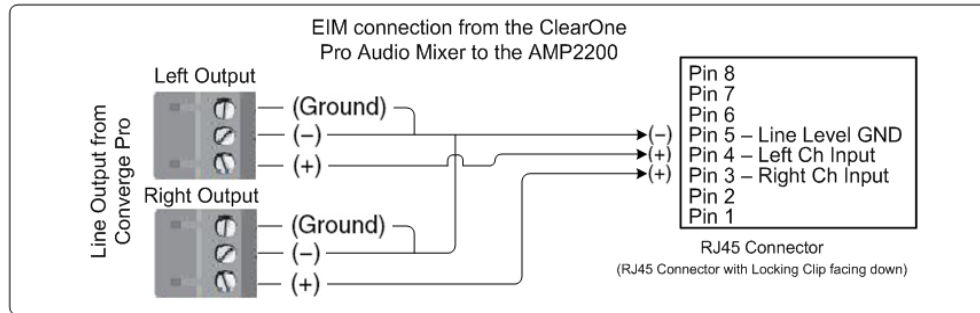
## TRS Connection

Signal	TRS	Mixer
Ground	Sleeve	3
Audio +	Tip	1
Audio -	Ring	2



## EIM Connection

Note the EIM connection includes both left and right audio outputs into a single RJ45 connector.



## Audio Control

With all three connections scenarios, the **Gain** on the AMP2200 must be adjusted and set for the environment and the **Volume Control** is controlled by the CONVERGE Pro or INTERACT Pro audio mixer.

For information on how to adjust the CONVERGE Pro or INTERACT Pro output levels, refer to the CONVERGE Pro or INTERACT Pro manual from our web site at: [http://www.clearone.com/resources#professional\\_audio](http://www.clearone.com/resources#professional_audio)

## Using the AMP2200 with the VIEW™ XT9170 Constant Voltage Transformer

The XT9170 converts the 8 ohm output to 70 or 100V output. One XT9170 transformer is needed for each output on the AMP2200 that is to be converted to 70 or 100V.

To connect the AMP2200 speaker output to the 8 ohm input on the XT9170, connect the 70 or 100 volt speaker to the respective output of the XT9170.

If future assistance is required, please contact ClearOne Technical Support.

### HEADQUARTERS:

**Salt Lake City, UT USA**  
5225 Wiley Post Way  
Suite 500  
Salt Lake City, UT 84116

**Tel:** 801.975.7200  
**Toll Free:** 800.945.7730  
**Fax:** 801.977.0087  
**E-mail:** [sales@clearone.com](mailto:sales@clearone.com)

**EMEA**  
**Tel:** 44 (0) 1189.036.053  
**E-mail:** [global@clearone.com](mailto:global@clearone.com)

**APAC**  
**Tel:** 852.3590.4526  
**E-mail:** [global@clearone.com](mailto:global@clearone.com)

**LATAM**  
**Tel:** 801.974.3621  
**E-mail:** [global@clearone.com](mailto:global@clearone.com)

**TechSales**  
**Tel:** 800.705.2103  
**E-mail:** [techsales@clearone.com](mailto:techsales@clearone.com)

**Technical Support**  
**Tel:** 800.283.5936  
**E-mail:** [tech.support@clearone.com](mailto:tech.support@clearone.com)