

# ClearOne®

CEILING MOUNT 150 for UNITE®

QUICK START GUIDE



## WHAT'S INCLUDED:

Pieces	Item
1	Ceiling Mount
1	Cross recessed, pan head with tail machine teeth screw, UNC 1/4"-20*8, PWM3*10
6	Pan head, flat tail, self-tapping lock screws, M3*6



## NOT INCLUDED:

Pieces	Item
4	*M5 expansion screws

\* These screws need to be provided by the installer based on the thickness of the ceiling.

**Caution:** It is the responsibility of the installer to ensure the camera and its mounting hardware are firmly secured, so that the camera does not fall. Anchoring hardware appropriate to the ceiling type must be selected and provided by the installer.

# INSTALLATION

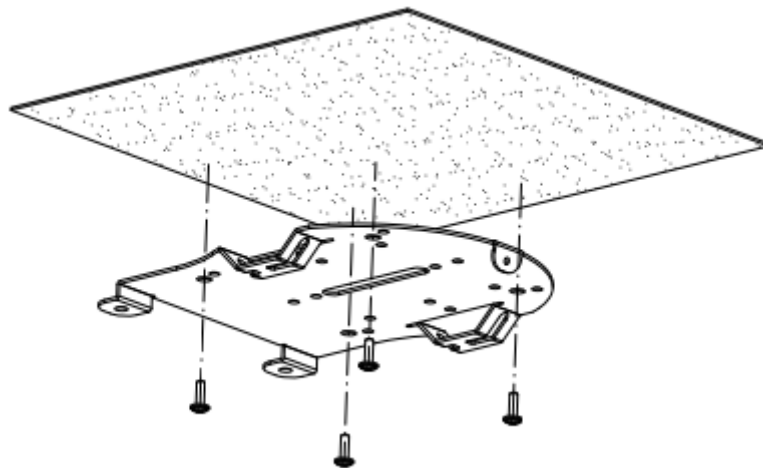
## Step 1.

- a) Position upper component of anchor on ceiling, and mark ceiling for placement (markers indicated in Steps 2 and 4).
- b) Pre-drill holes in ceiling.

**NOTE:** Check depth of the mounting holes by inserting a straw or toothpick, and measure against the length of screws.

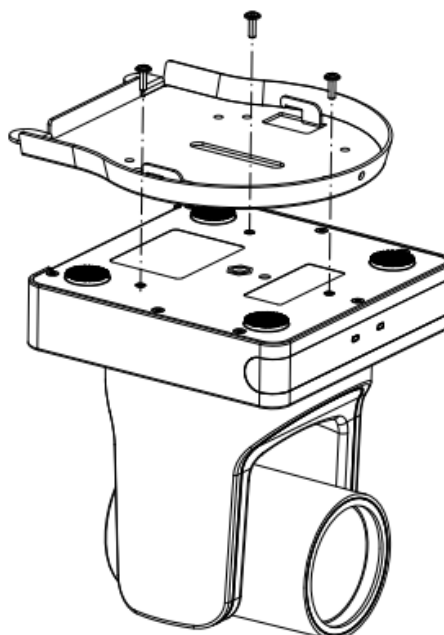
## Step 2.

- a) Place top component of mount back over markings on ceiling.
- b) Secure using M5 expansion screws (not included).



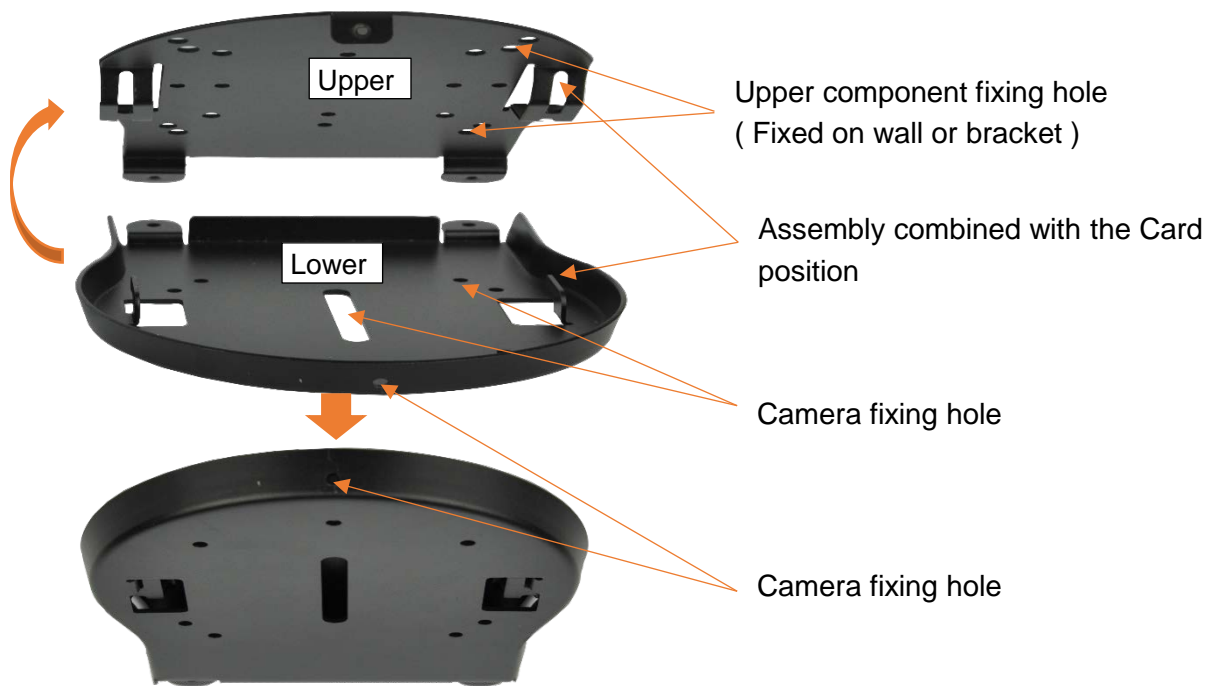
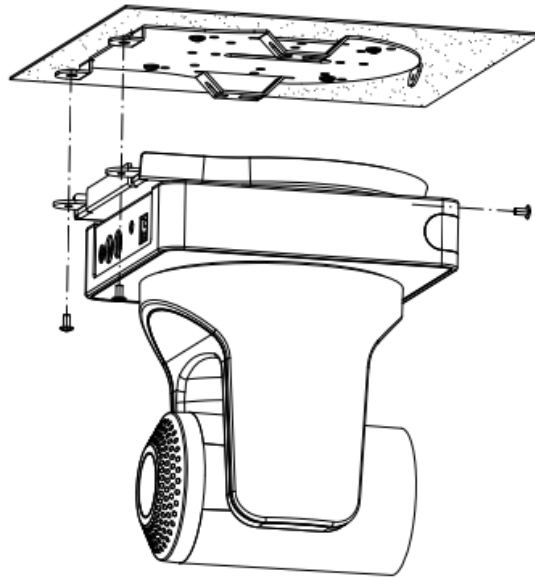
## STEP 3.

Secure bottom component of mount to the bottom of the camera using included M3\*6 screws.



#### STEP 4.

- a) Attach camera to mount.
- b) Secure using M3\*6 screws.



## Service and Support

If you need assistance setting up or operating your product, please contact us. We welcome your comments so we can continue to improve our products and better meet your needs.

### Technical Support

Telephone: 1.800.283.5936

E-mail: [collaborate.support@clearone.com](mailto:collaborate.support@clearone.com)