

# Huddle Space

## Design Guide

DOC-0516-001 REV 1.9 – Arp 08, 2022

### Room Application

Web AV Conferencing

### Included Interfaces

BYOD PC Video Conferencing,  
Bluetooth

### Primary Equipment

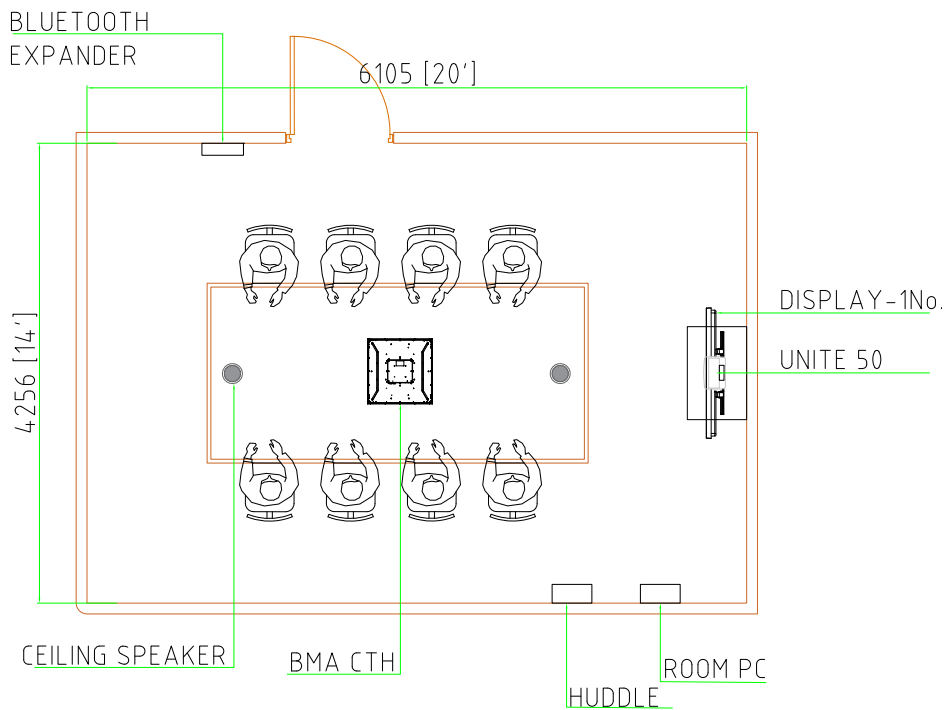
- Huddle
- BMA CT Beamforming Mic Array
- Bluetooth Expander

### Software/Firmware revisions utilized

- Console AI Version: 7.5.4.1
- Huddle DSP Version: 8.4.3.0
- BMA-CTH Version: 1.0.1.18



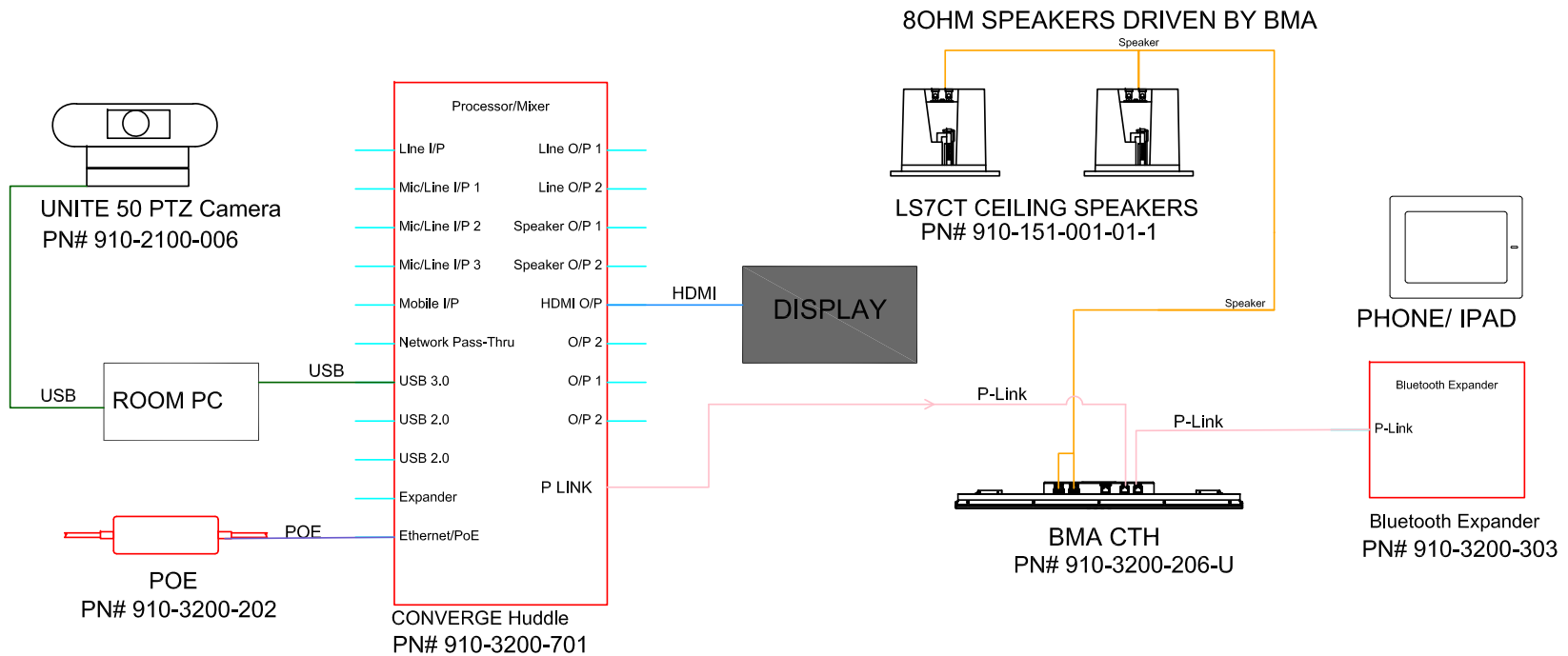
### Room Illustrations



### Room Description

Small meeting space for up to 6 people with all the connectivity needs for a modern conference room.

**Wiring Diagram**



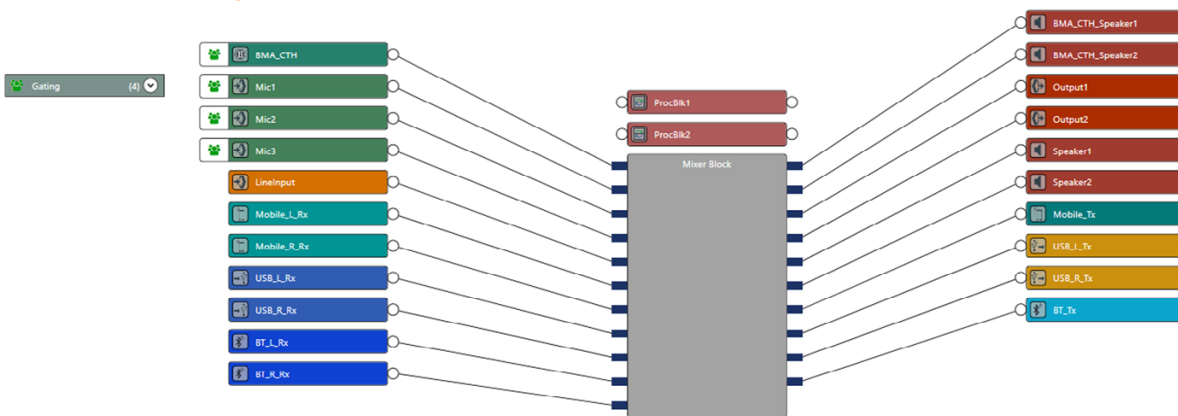
**NOTE: ANY INDIVIDUAL P-LINK MUST NOT EXCEED 200 FEET / 61 METER IN LENGTH**

LEGEND	
	SPEAKER (18 AWG Wire)
	POE
	USB
	HDMI
	P-LINK (CAT 6)
	NETWORK (CAT 6)

**Equipment list:**

Qty	Part Number	Product Name	Description
1	930-3200-206	COLLABORATE® Versa PRO CT	Includes CONVERGE Huddle CTH, BMT CTH 24 inch, COLLABORATE Space Pro 10, and one SIP/H.32 gateway for 90 days.
1	910-3200-202	36W PoE+ power supply kit for BMA	Includes 1 x 36 Watt PoE+ Injector, 2 x 25 ft CAT6 cables
1	910-3200-303	CONVERGE® Bluetooth Expander	Includes Bluetooth Expander Wall Panel, Trim Plate, Low Voltage 1-Gang Wall Bracket, NFC Button
1	910-2100-006	UNITE® 50 4K ePTZ Camera	4K 30 fps, USB, e-PTZ with UVC Protocol, 120° ultra wide-angle field-of-view
1	910-151-001-01-1	Ceiling Speakers	Includes 2 x LS7CT ceiling speakers with 8 ohm and 70V/100V transformer taps and ceiling tile bridges.

**FlowView™ Diagram**



Download the Huddle Space files: [HERE](#)

**SALES AND INQUIRIES**

**Headquarters**

5225 Wiley Post Way Suite 500  
Salt Lake City, UT 84116

**Headquarters**

Main: +1.801.975.7200

**Sales**

Tel: +1.801.975.7200  
[sales@clearone.com](mailto:sales@clearone.com)

**Tech Support**

Tel: +1.801.974.3760  
[audiotechsupport@clearone.com](mailto:audiotechsupport@clearone.com)