

Divisible Room

Design Guide

DOC-0514-001- V 2.0 May 2024

Room Application

Cloud Collaboration
Audio Conferencing

Included Interfaces

VoIP, Analog Telco, USB Audio, Camera

Primary Equipment

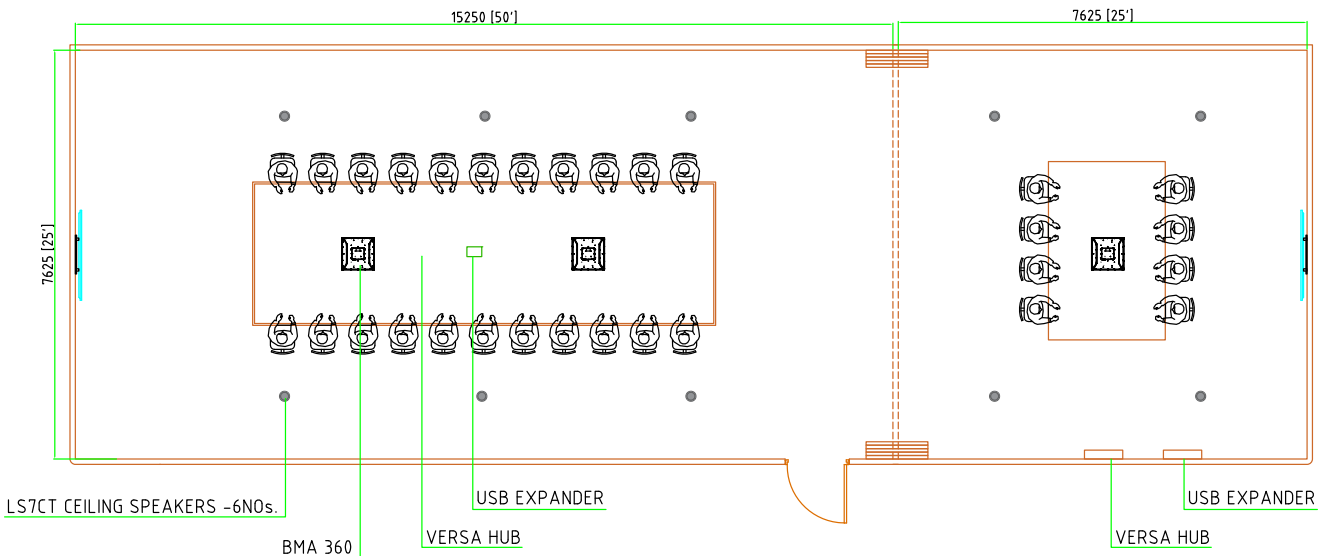
- CP2 128VT
- BMA 360
- UNITE® 160
- Versa™ Hub

Software/Firmware revisions utilized

- CONSOLE® AI Version: 7.7.0.14
- DSP Version: 8.7.14.13
- BMA 360 Version: 1.0.8.4



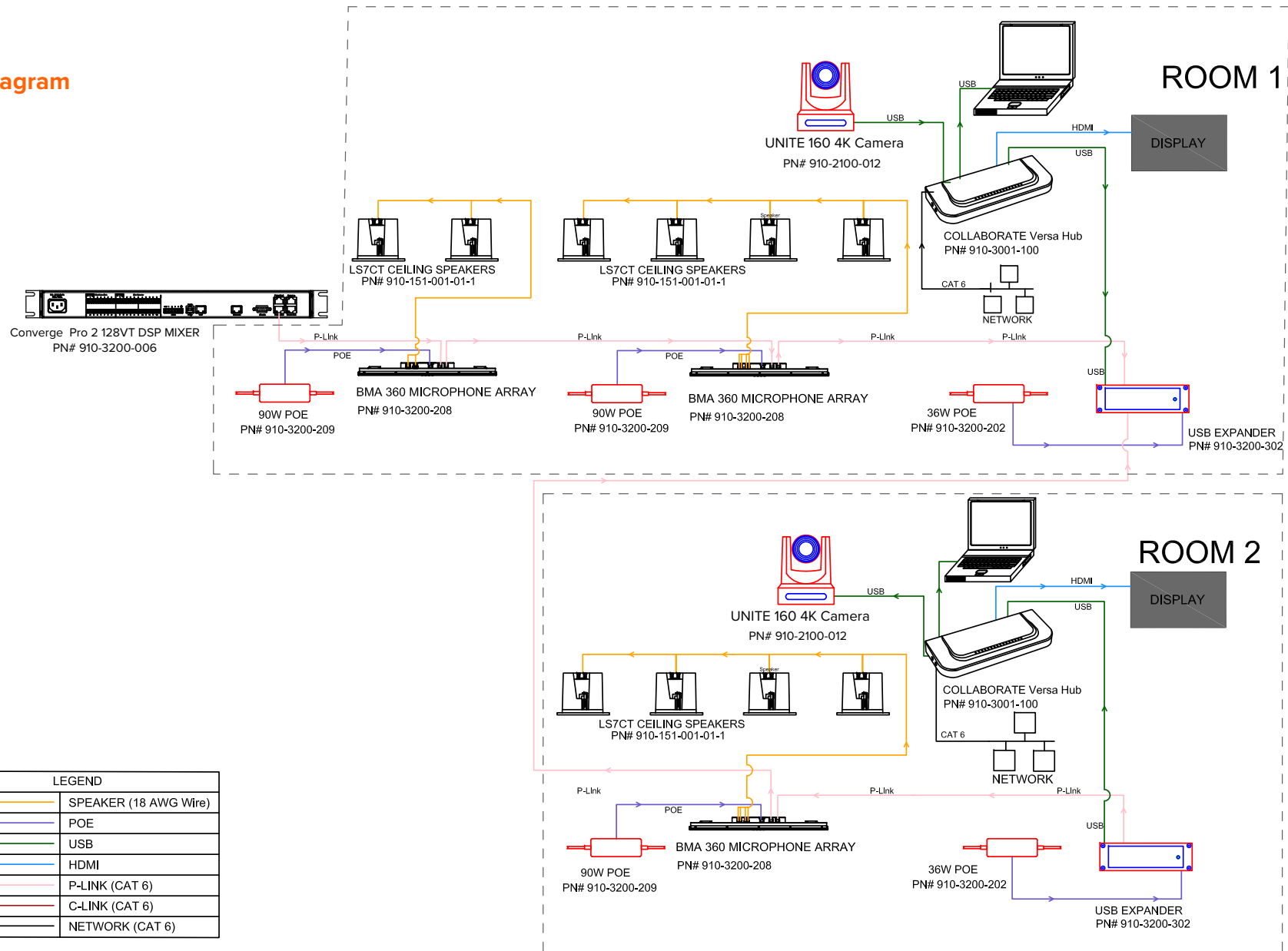
Room Illustrations



Room Description

A divisible room with VoIP, Telco, and BYOD Cloud collaboration capabilities. When divided, the larger conferencing space is capable of cloud-based video calls, VoIP, or POTS telephony calls while the smaller space has dedicated resources for cloud collaboration. Have a larger group attending? Combine the spaces and have access to all system resources.

Wiring Diagram



| LEGEND | |
|--------|-----------------------|
| | SPEAKER (18 AWG Wire) |
| | POE |
| | USB |
| | HDMI |
| | P-LINK (CAT 6) |
| | C-LINK (CAT 6) |
| | NETWORK (CAT 6) |

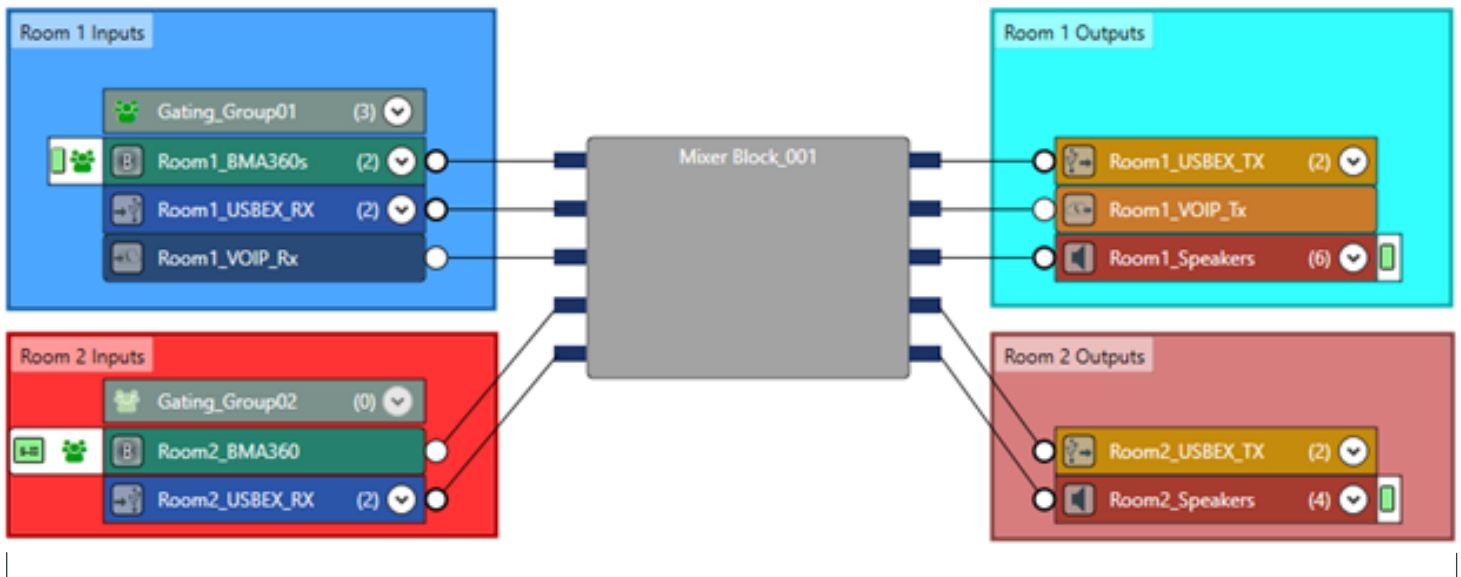
NOTE: ANY INDIVIDUAL P-LINK MUST NOT EXCEED 200 FEET / 61 METER IN LENGTH

Equipment list:

| Qty | Part Number | Product Name | Description |
|-----|------------------|------------------------------------|--|
| 1 | 910-3200-006 | CONVERGE® Pro 2 128VT | DSP Mixer with 12 Mic/Line AEC Inputs, 8 Mic/Line Outputs, USB Audio, VoIP, Telephone Interface |
| 3 | 910-3200-208 | BMA 360 24 Inch | BMA with 4 x 15 Watt Power Amplifiers. PoE Injector and CAT6 cables not included. |
| 3 | 910-3200-209 | 90W PoE++ power supply kit for BMA | Includes 1 x 90 Watt PoE++ Injector, 2 x 25 ft CAT6 cables |
| 2 | 910-3200-202 | 36W PoE+ power supply kit for BMA | Includes 1 x 36 Watt PoE+ Injector, 2 x 25 ft CAT6 cables |
| 2 | 910-3200-302 | USB Expander for CONVERGE® Pro 2 | Includes 6 ft USB cable |
| 5 | 910-151-001-01-1 | Ceiling Speakers | Includes 2 x LS7CT ceiling speakers with 8 ohm and 70V/100V transformer taps and ceiling tile bridges. |
| 2 | 910-2100-012 | UNITE® 160 4K Camera | 4K Ultra HD video, 12x optical zoom, capability to capture all participants in the room. |
| 2 | 910-3001-100 | COLLABORATE® Versa™ Hub | Hub that connects USB camera, USB audio, room displays and laptop |

The downloadable configuration file, illustrated here, contains two presets, for combined and divided modes.

FlowView™ Diagram



Included Macros

- Room_Combined: Combine all Room 1 and 2 audio routing into a single audio system.
- Room_Divided: Separate audio routing so that Room 1 and 2 operate independently.
- Combined_Mute_Toggle: Toggle all BMA360 microphone mute states for both rooms.
- Room1_Mute_Toggle: Toggle the mute state for the Room 1 BMA 360 microphones.
- Room2_Mute_Toggle: Toggle the mute state for the Room 2 BMA 360 microphones.
- Combined_VolUP_3: Increase all speakers by 3 dB.
- Combined_VolDN_3: Decrease all speakers by 3dB.
- Room1_VolUP_3: Increase the Room 1 Speaker group volume by 3 dB.
- Room1_VolDN_3: Decrease the Room 1 Speaker group volume by 3 dB.
- Room2_VolUP_3: Increase the Room 2 Speaker group volume by 3 dB.
- Room2_VolDN_3: Decrease the Room 2 Speaker group volume by 3 dB.

* Macros can be executed via Telnet or serial communications.
Refer to the Converge Pro 2 Serial Command Reference Manual for details.

Download the Divisible Room files: [HERE](#)

SALES AND INQUIRIES

Headquarters

5225 Wiley Post Way Suite 500
Salt Lake City, UT 84116

Headquarters

Main: +1.801.975.7200

Sales

Tel: +1.801.975.7200
sales@clearone.com

Tech Support

Tel: +1.801.974.3760
audiotechsupport@clearone.com