

Flex Room

Design Guide

DOC-0515-001 - V2.0 - May 2024

Room Application

Flexible Seating, Media Content Sharing, Video and Teleconferencing

Included Interfaces

VoIP, Analog Telco, Wireless Media Sharing

Primary Equipment

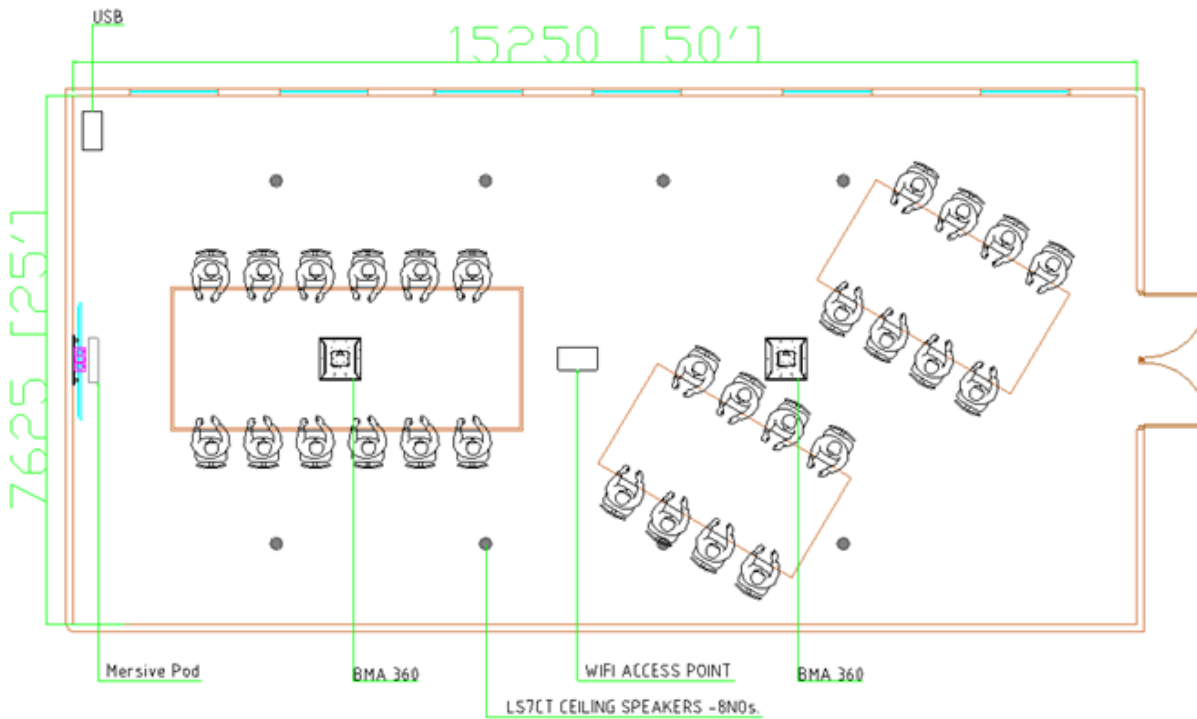
- Converge Pro 2 128VT
- BMA 360 Microphones
- LS7CT Speakers
- Mersive POD

Software/Firmware revisions utilized

- Console AI Version: 7.7.0.14
- DSP Version: 8.7.14.13
- BMA 360 Version: 1.0.8.4



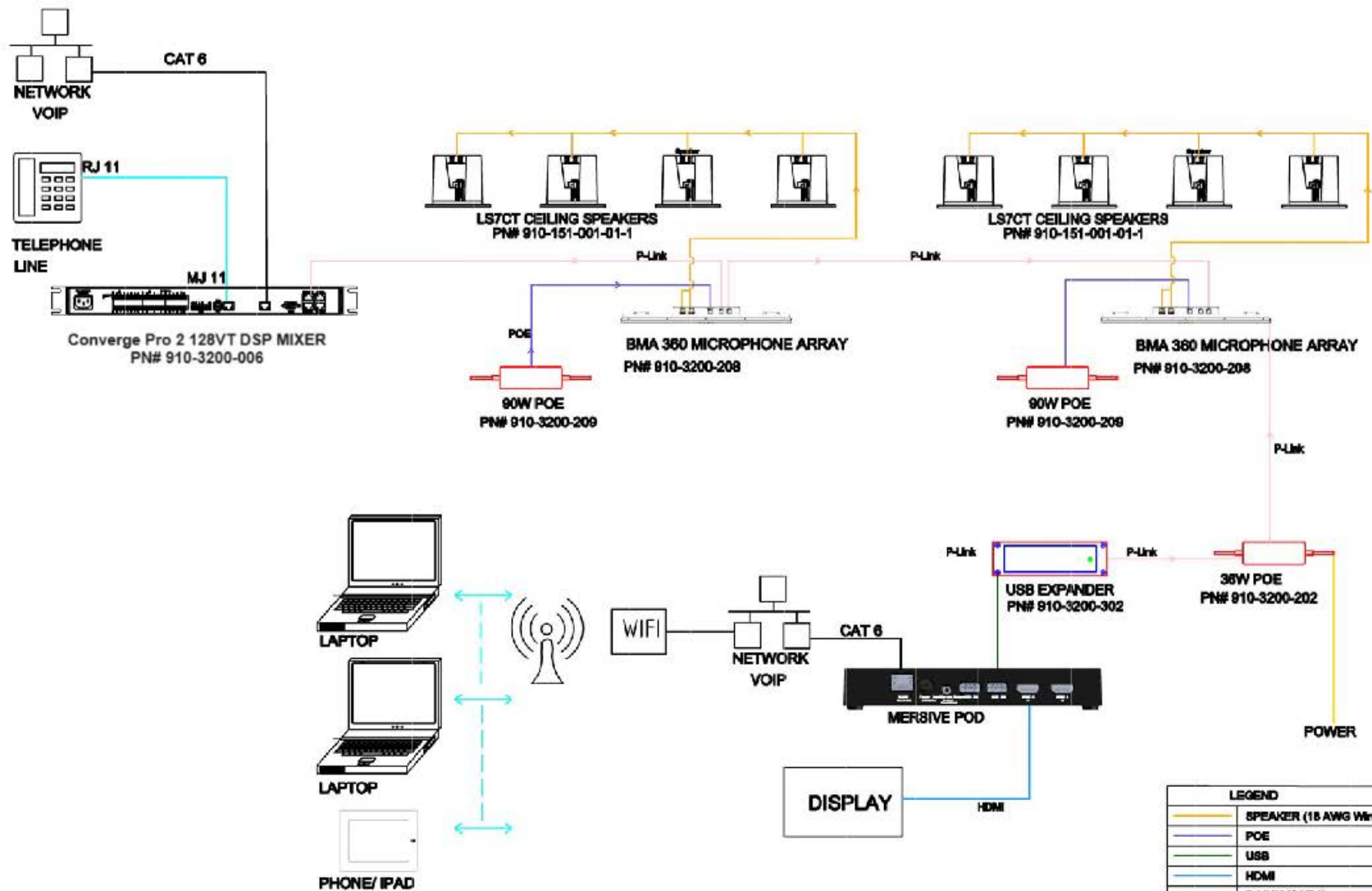
Room Illustrations



Room Description

Large open plan room with mobile seating and tables. Great space for having general meetings and sharing content with a focus on wireless, hands free operation.

Wiring Diagram



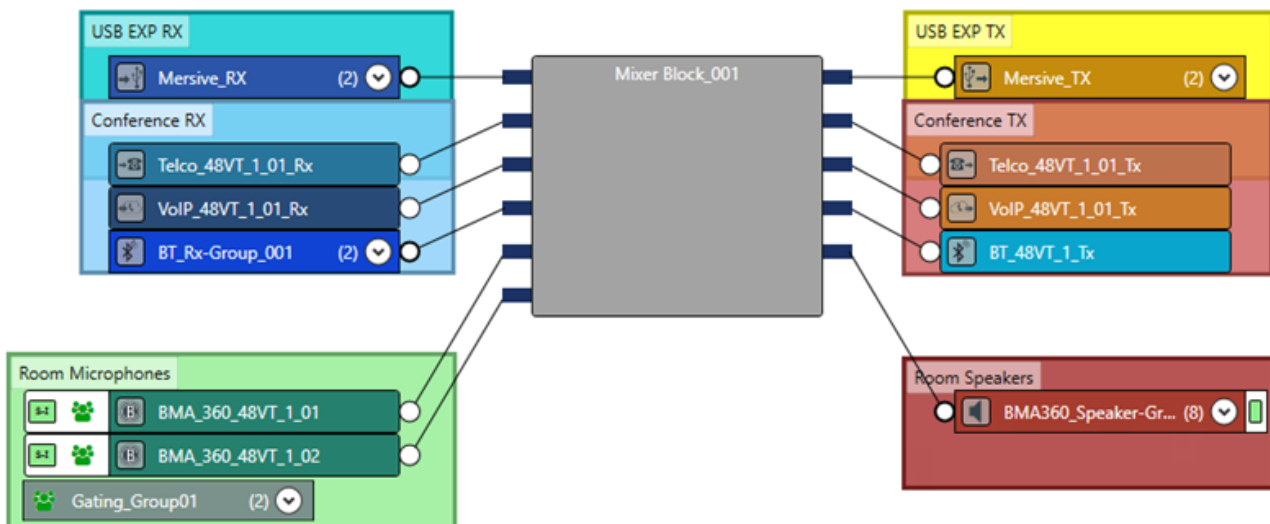
NOTE: ANY INDIVIDUAL P-LINK MUST NOT EXCEED 200 FEET / 61 METER IN LENGTH

| LEGEND | |
|--------|-----------------------|
| | SPEAKER (18 AWG Wire) |
| | POE |
| | USB |
| | HDMI |
| | P-LINK (CAT 5) |
| | NETWORK (CAT 6) |
| | WIRELESS |

Equipment list:

| Qty | Part Number | Product Name | Description |
|-----|------------------|------------------------------------|---|
| 1 | 910-3200-006 | CONVERGE Pro 2 128VT | DSP Mixer with 12 Mic/Line AEC Inputs, 8 Mic/Line Outputs, USB Audio, VoIP, Telephone Interface. |
| 2 | 910-3200-209 | 90W PoE++ power supply kit for BMA | Includes 1 x 90 Watt PoE++ Injector, 2 x 25 ft CAT6 cables |
| 1 | 910-3200-202 | 36W PoE+ power supply kit for BMA | Includes 1 x 36 Watt PoE+ Injector, 2 x 25 ft CAT6 cables |
| 2 | 910-3200-208 | BMA 360 24 Inch | BMA with 4 x 15 Watt Power Amplifiers. PoE Injector and CAT6 cables not included. 910-3200-208-I 600 mm model also available. |
| 1 | 910-3200-302 | USB Expander for CONVERGE Pro 2 | Includes 6 ft USB cable |
| 4 | 910-151-001-01-1 | Ceiling Speakers | Includes 2 x LS7CT ceiling speakers with 8 ohm and 70V/100V transformer taps and ceiling tile bridges. |

FlowView™ Diagram



Included Macros

- Microphone_Mute : Mutes both room BMA 360 Microphones.
- Microphone_Unmute : Unmutes both room BMA 360 Microphones.
- Room_SPKR_Mute : Mutes all room speaker channels.
- Room_SPKR_Unmute : Unmutes all room speaker channels.
- Room_VOL_DN : Decreases the room speaker volume by 3 dB per execution.
- Room_VOL_UP : Increases the room speaker volume by 3 dB per execution.

* Macros can be executed via Telnet or serial communications.
Refer to the Converge Pro 2 Serial Command Reference Manual for details.

Download the Flex Room files: [HERE](#)

SALES AND INQUIRIES

Headquarters

5225 Wiley Post Way Suite 500
Salt Lake City, UT 84116

Headquarters

Main: +1.801.975.7200

Sales

Tel: +1.801.975.7200
sales@clearone.com

Tech Support

Tel: +1.801.974.3760
audiotechsupport@clearone.com