

Huddle Space

Design Guide

DOC-0516-001 - V2.0 - May 2024

Room Application

Web AV Conferencing

Included Interfaces

BYOD PC Video Conferencing,
Bluetooth

Primary Equipment

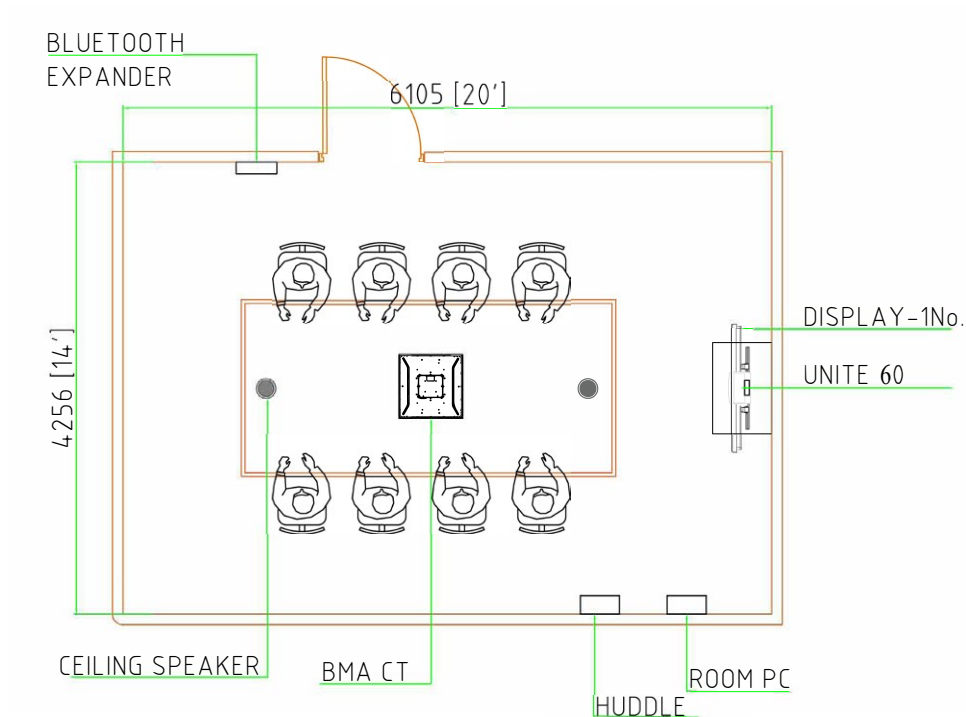
- Huddle CT
- BMA CT Beamforming Mic Array
- Bluetooth Expander

Software/Firmware revisions utilized

- Console AI Version: 7.7.0.14
- Huddle DSP Version: 8.6.6.1
- BMA-CTH Version: 2.0.0.5



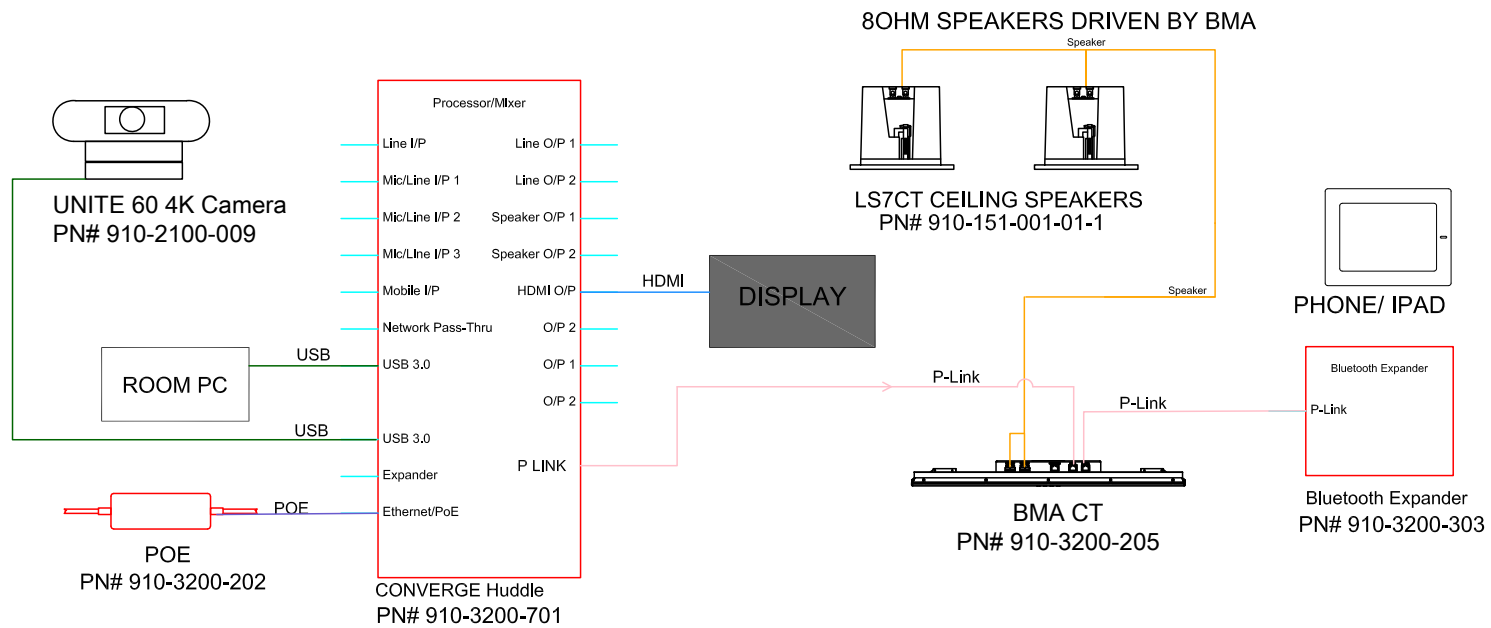
Room Illustrations



Room Description

Huddle Space for up to 6 people with all the connectivity needs for a modern conference room.

Wiring Diagram



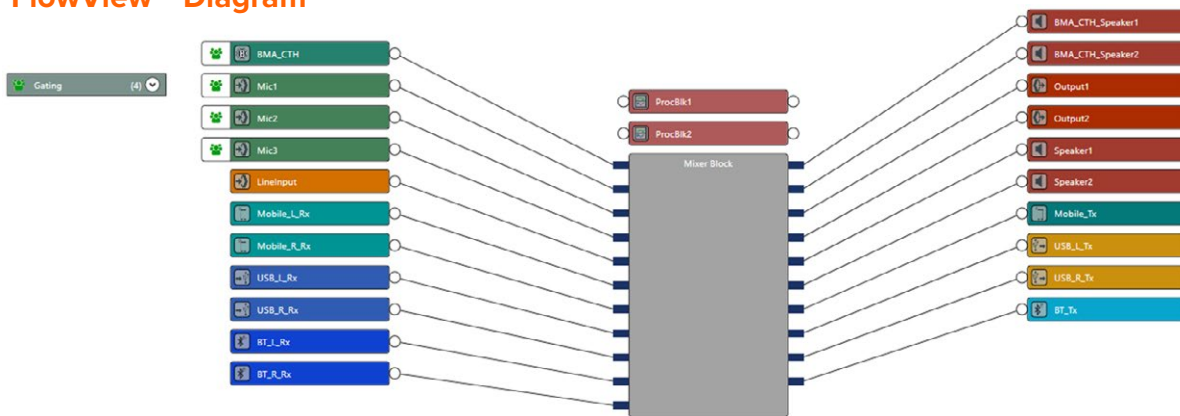
LEGEND	
	SPEAKER (18 AWG Wire)
	POE
	USB
	HDMI
	P-LINK (CAT 6)
	NETWORK (CAT 6)

NOTE: ANY INDIVIDUAL P-LINK MUST NOT EXCEED 200 FEET / 61 METER IN LENGTH

Equipment list:

Qty	Part Number	Product Name	Description
1	930-3200-206	COLLABORATE® Versa PRO CT	Includes CONVERGE Huddle CT, BMT CT 24 inch, COLLABORATE Space Pro 10, and one SIP/H.32 gateway for 90 days.
1	910-3200-202	36W PoE+ power supply kit for BMA	Includes 1 x 36 Watt PoE+ Injector, 2 x 25 ft CAT6 cables
1	910-3200-303	CONVERGE® Bluetooth Expander	Includes Bluetooth Expander Wall Panel, Trim Plate, Low Voltage 1-Gang Wall Bracket, NFC Button
1	910-2100-009	UNITE® 60 4K ePTZ Camera	4K 30 fps, USB, e-PTZ with UVC Protocol, 120° ultra wide-angle field-of-view.
1	910-151-001-01-1	Ceiling Speakers	Includes 2 x LS7CT ceiling speakers with 8 ohm and 70V/100V transformer taps and ceiling tile bridges.
1	910-3200-205	BMA CT	The BMA CT is a patented ceiling tile beamforming microphone array that blends in perfectly with today's drop ceilings

FlowView™ Diagram



Download the Huddle Space files:

- Example Console Configuration File | [Download](#)
- DWG Wiring Diagram | [Download](#)
- Stardraw Wiring Diagram | [Download](#)

SALES AND INQUIRIES

Headquarters

5225 Wiley Post Way Suite 500
Salt Lake City, UT 84116

Headquarters

Main: +1.801.975.7200

Sales

Tel: +1.801.975.7200
sales@clearone.com

Tech Support

Tel: +1.801.974.3760
audiotechsupport@clearone.com