

# Large Conference Room

Design Guide

DOC-0517-001 - V2.0 - May 2024

### Room Application

Audio Teleconferencing

### Included Interfaces

VoIP, Analog Telco, USB Audio, Bluetooth

### Primary Equipment

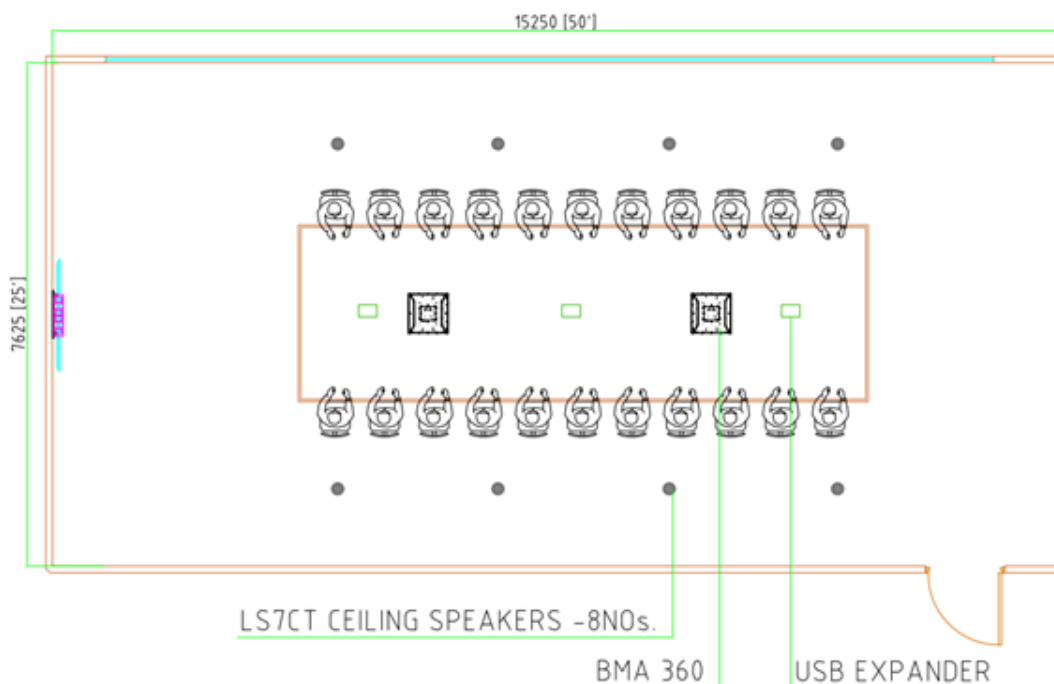
- CP2 128VT
- BMA 360
- USB Expander
- BT Expander

### Software/Firmware revisions utilized

- Console AI Version: 7.7.0.14
- DSP Version: 8.7.14.13
- BMA 360 Version: 1.0.8.4



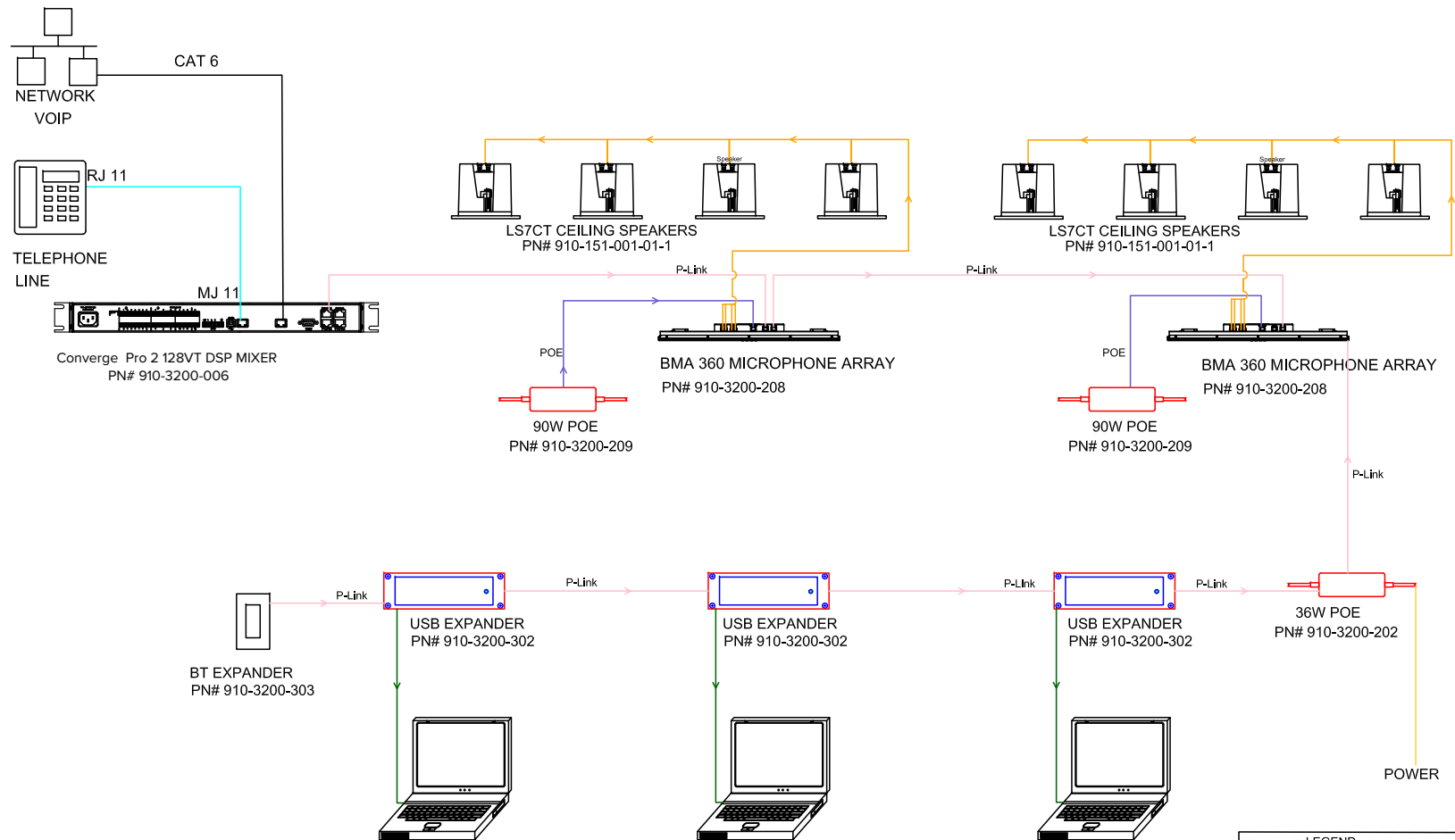
### Room Illustrations



### Room Description

A large conference room with VoIP, Telco and web conferencing capabilities. With the simple wiring and installation need, this design is an excellent solution if you have a large conference room where quality teleconferencing is key and a limited AV budget.

Wiring Diagram



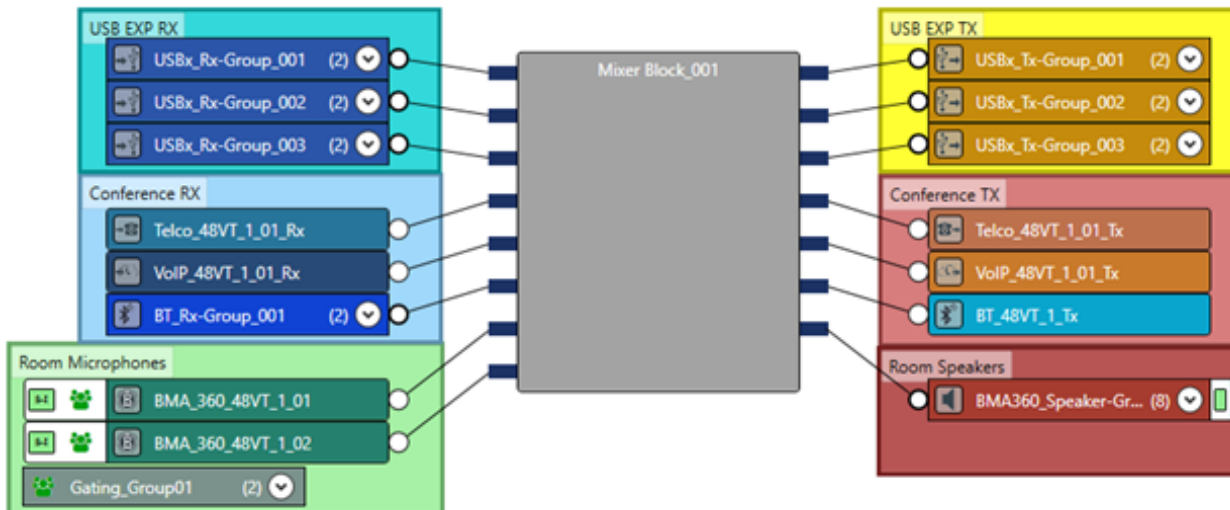
NOTE: ANY INDIVIDUAL P-LINK MUST NOT EXCEED 200 FEET / 61 METER IN LENGTH

LEGEND	
	SPEAKER (18 AWG Wire)
	POE
	USB
	HDMI
	P-LINK (CAT 6)
	NETWORK (CAT 6)

**Equipment list:**

Qty	Part Number	Product Name	Description
1	910-3200-006	CONVERGE® Pro 2 128VT	DSP Mixer with 12 Mic/Line AEC Inputs, 8 Mic/Line Outputs, USB Audio, VoIP, Telephone Interface.
2	910-3200-209	90W PoE++ power supply kit for BMA	Includes 1 x 90 Watt PoE++ Injector, 2 x 25 ft CAT6 cables
1	910-3200-202	36W PoE+ power supply kit for BMA	Includes 1 x 36 Watt PoE+ Injector, 2 x 25 ft CAT6 cables
2	910-3200-208	BMA 360 24 Inch	BMA with 4 x 15 Watt Power Amplifiers. PoE Injector and CAT6 cables not included. 910-3200-208-I 600 mm model also available.
3	910-3200-302	USB Expander for CONVERGE Pro 2	Includes 6 ft USB cable
1	910-3200-303	CONVERGE Blue Tooth Expander	Includes Bluetooth Expander Wall Panel, Trim Plate, Low Voltage 1-Gang Wall Bracket, NFC Button
4	910-151-001-01-1	Ceiling Speakers	Includes 2 x LS7CT ceiling speakers with 8 ohm and 70V/100V transformer taps and ceiling tile bridges.

**FlowView™ Diagram**



## Included Macros

- Microphone\_Mute : Mutes both room BMA 360 Microphones.
- Microphone\_Unmute : Unmutes both room BMA 360 Microphones.
- Room\_SPKR\_Mute : Mutes all room speaker channels.
- Room\_SPKR\_Unmute : Unmutes all room speaker channels.
- Room\_VOL\_DN : Decreases the room speaker volume by 3 dB per execution.
- Room\_VOL\_UP : Increases the room speaker volume by 3 dB per execution.

\* Macros can be executed via Telnet or serial communications.  
Refer to the Converge Pro 2 Serial Command Reference Manual for details.

Download the Large Conference Room files: [HERE](#)

## SALES AND INQUIRIES

### Headquarters

5225 Wiley Post Way Suite 500  
Salt Lake City, UT 84116

### US & Canada

Main: +1.801.975.7200

### Sales

Tel: +1.801.975.7200  
[sales@clearone.com](mailto:sales@clearone.com)

### Tech Support

Tel: +1.801.974.3760  
[audiotechsupport@clearone.com](mailto:audiotechsupport@clearone.com)