

Large Class Room

Design Guide

DOC-0553-001 - V 2.0 - May 2024



Room Application

Large classroom area where the instructor audio needs to be locally amplified.

Included Interfaces

BYOD, VoIP, Telco, Wireless Presentation.

Primary Equipment

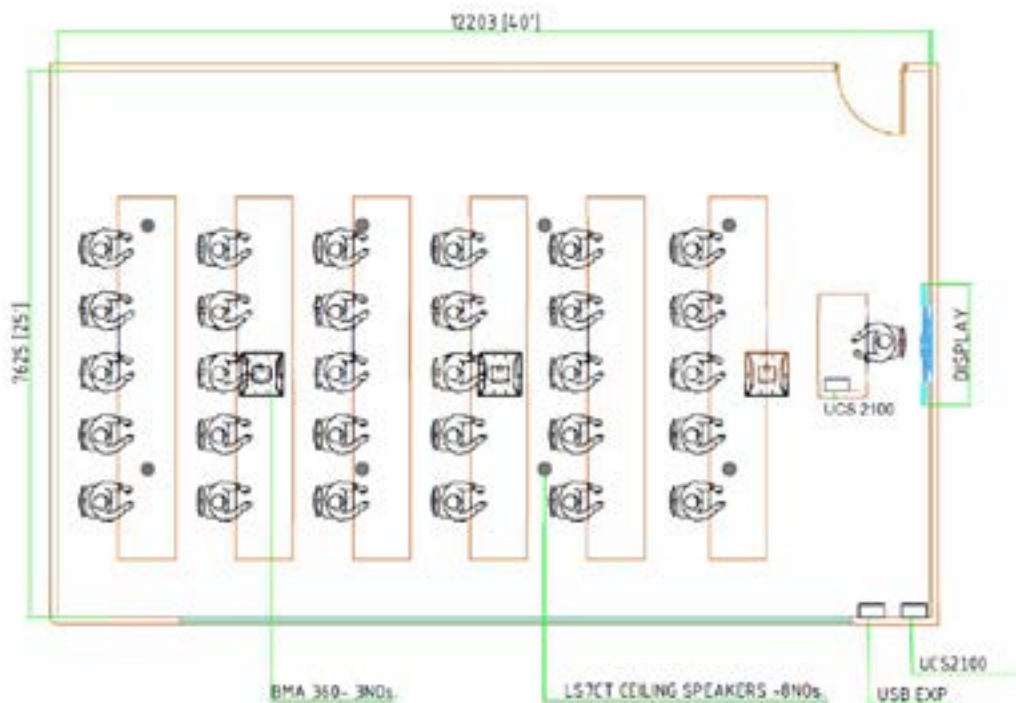
- BMA 360
- Versa UCS2100 Switcher Kit

Software/Firmware revisions utilized

- Console Ai Version: v7.7.0.14
- DSP Version: 8.7.14.13
- BMA 360 Version: 1.0.8.4



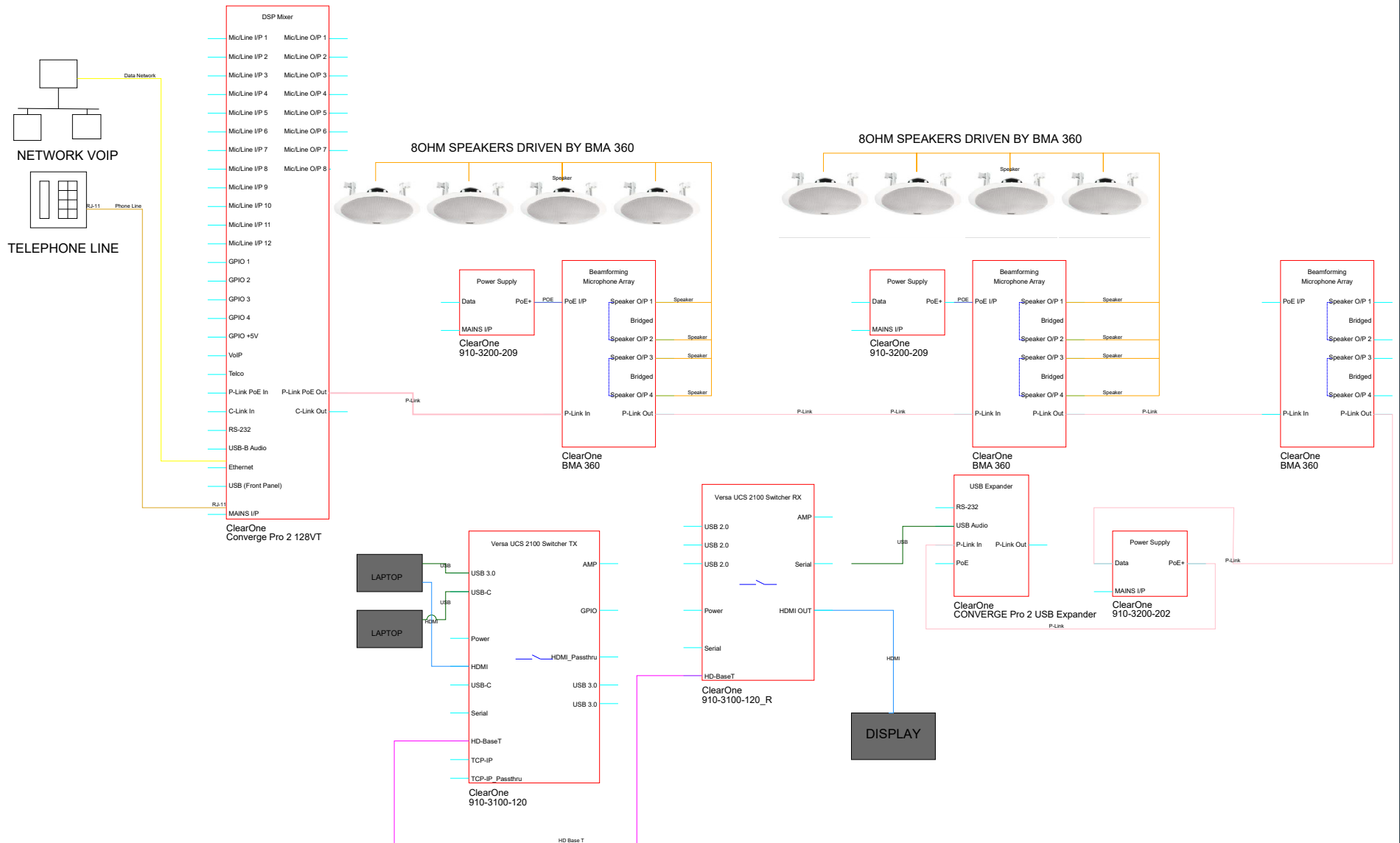
Room Illustrations



Room Description

Excellent BMA 360 focused system design for hands free microphone pickup, Instructor voice lift and room speaker amplification in classrooms of up to 50 students.

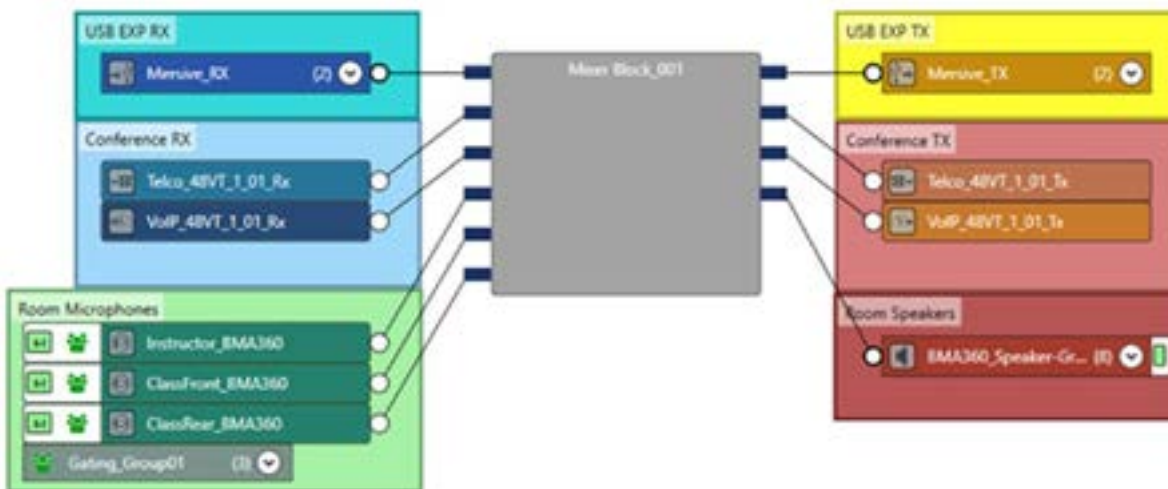
Wiring Diagram



Equipment list:

Qty	Part Number	Product Name	Description
1	910-3200-006	Converge Pro 2 128VT	DSP Mixer with 12 Mic/Line AEC Inputs, 8 Mic/Line Outputs, USB Audio, VoIP, Telephone Interface
2	910-3200-209	90W PoE++ power supply kit for BMA	Includes 1 x 90 Watt PoE++ Injector, 2 x 25 ft CAT6 cables
1	910-3200-202	36W PoE+ power supply kit for BMA	Includes 1 x 36 Watt PoE+ Injector, 2 x 25 ft CAT6 cables
3	910-3200-208	BMA 360 24 Inch	BMA with 4 x 15 Watt Power Amplifiers. PoE Injector and CAT6 cables not included. 910-3200-208-I 600 mm model also available.
1	910-3200-302	USB Expander for CONVERGE Pro 2	Includes 6 ft USB cable
4	910-151-001-01-1	Ceiling Speakers	Includes 2 x LS7CT ceiling speakers with 8 ohm and 70V/100V transformer taps and ceiling tile bridges.
1	910-3001-120	Versa UCS2100 Switcher Kit	Presentation switcher kit with USB and video extension over HDBT CAT6 cable and with dual USB host capability. Transmitter provides USB 3.0, HDMI, analog audio out, GPIO, RS-232, TCP/IP. Receiver provides USB 2.0, HDMI, analog audio out, RS-232, Ethernet passthrough.

FlowView™ Diagram



Included Macros

- Microphone_Unmute : Unmutes all room BMA 360 Microphones.
- Room_SPKR_Mute : Mutes all room speaker channels.
- Room_SPKR_Unmute : Unmutes all room speaker channels.
- Room_VOL_DN : Decreases the room speaker volume by 3 dB per execution.
- Room_VOL_UP : Increases the room speaker volume by 3 dB per execution.
- Presenter_Mode : Limits student area pickup and accentuates Presenter audio.
- QA_Mode : Opens all student and presenter microphone channels for transmission.

* Macros can be executed via Telnet or serial communications.
Refer to the Converge Pro 2 Serial Command Reference Manual for details.

Download the Large Class Room files:

Example Console Configuration File | [Download](#)
DWG Wiring Diagram | [Download](#)
Stardraw Wiring Diagram | [Download](#)

SALES AND INQUIRIES

Headquarters

5225 Wiley Post Way Suite 500
Salt Lake City, UT 84116

Headquarters

Main: +1.801.975.7200

Sales

Tel: +1.801.975.7200
sales@clearone.com

Tech Support

Tel: +1.801.974.3760
audiotechsupport@clearone.com