

Access Point



ClearOne® Contacts

Headquarters

5225 Wiley Post Way Suite 500
Salt Lake City, UT 84116

Sales

Tel: +1.801.975.7200

sales@clearone.com

Headquarters

Tel: +1.801.975-7200

Technical Support

Tel: +1.801.974.3760

audiotechsupport@clearone.com

Notices

©2024 ClearOne, Inc. All rights reserved.

Information in this document is subject to change without notice.

Document: DOC-0591-001v1.0 August 2024

Contents

Notices	i
1. About Access point	1
2. Packing List	1
3. Mounting Options.....	1
4. Installation Instructions	1
5. Product diagram with dimensions	2
6. Access Point Mounting Options	3
7. Safety Precautions	10
8. Service and Support	10

1. About Access point

The Dante-enabled system includes an eight-channel Dante Access Point to ensure optimal signal transmission and system reliability. Management software can communicate via web browser to the access point through wired Ethernet.

2. Packing List

Verify that you have received all parts associated with each of the components.

Inspect your shipment carefully. If the shipment shows obvious signs of damage, retain original boxes and packing material for inspection by the carrier, and contact them immediately. ClearOne is not responsible for product damage incurred during shipment.

No	Description
1. a.	Access Point
1. b.	Mounting Bracket

3. Mounting Options

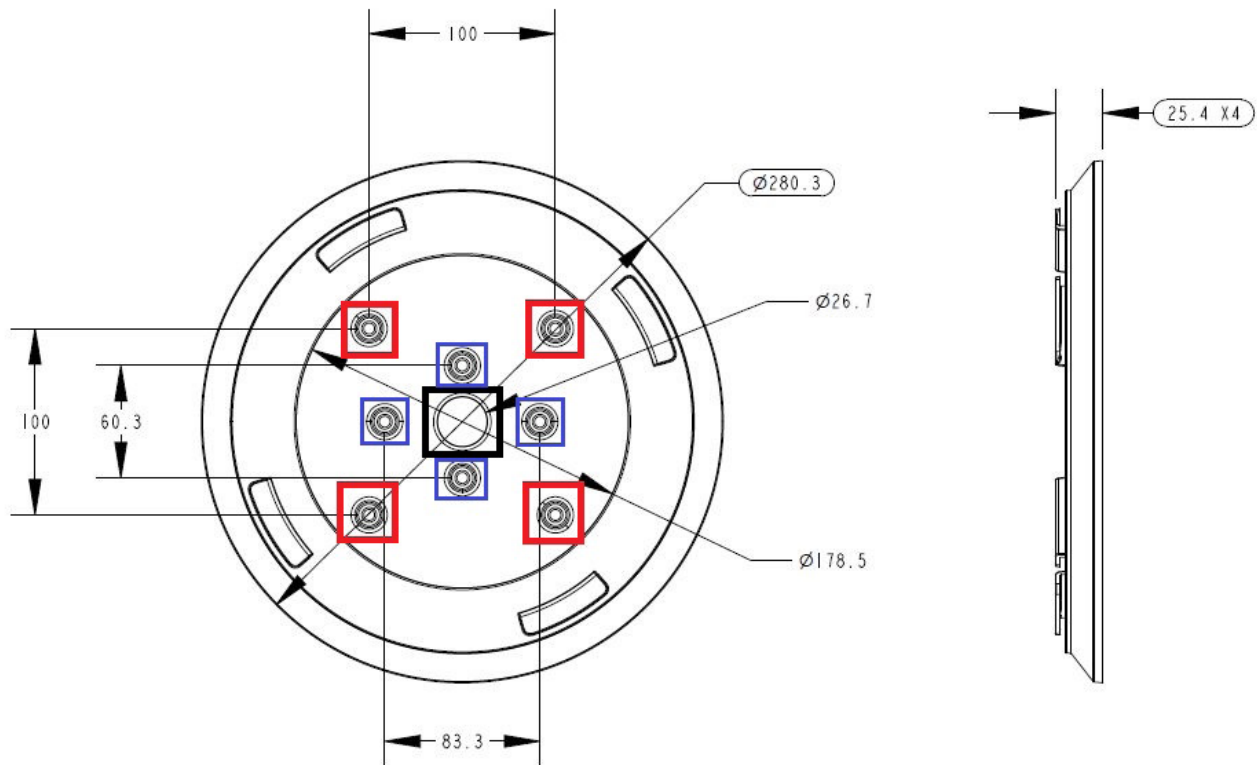
The lightweight plenum-rated access point provides versatile mounting options for wall, ceiling, tabletop, or pole mounting, including VESA mount holes.

4. Installation Instructions

It can be mounted in the below configurations using the attached wall mount that twist locks onto the bottom of the AP:

- Wall
- Ceiling
- Vesa
- Pole
- Junction box

5. Product diagram with dimensions



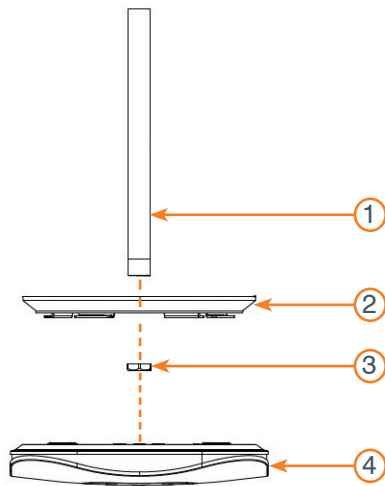
Access Point: 12.1 x 12.1 x 2.0 in 3.0 lbs

- Black = Pole Mount
- Red = Vesa Mount
- Blue = Junction Box

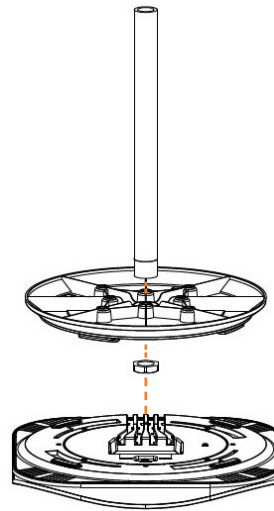
6. Access Point Mounting Options

The Access Point have seven mounting options.

POLE MOUNT INSTALL

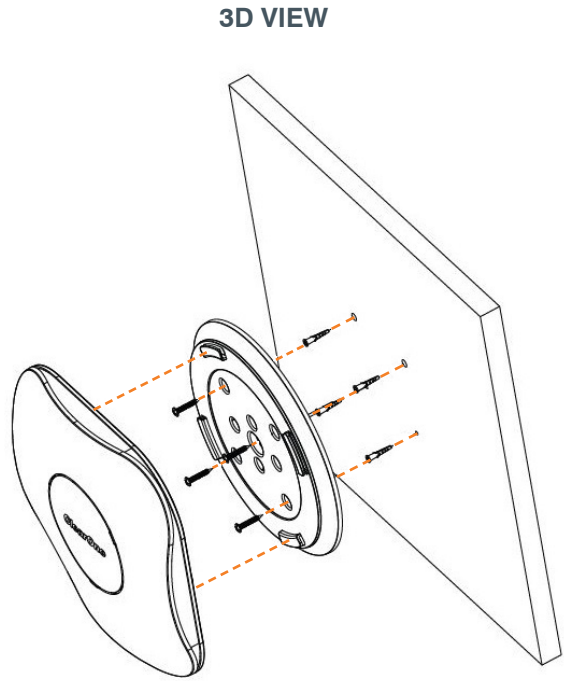
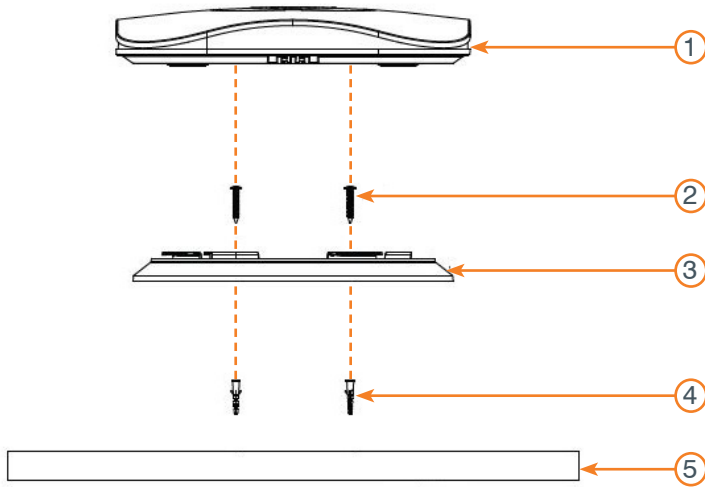


3D VIEW



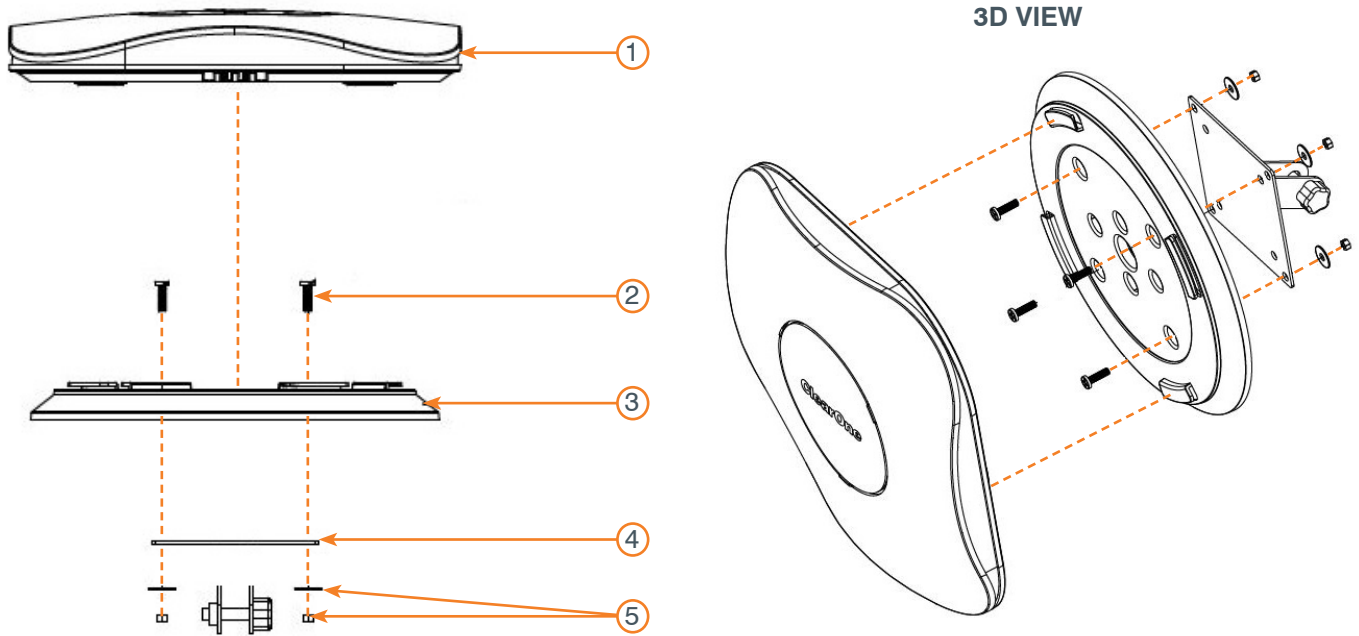
No	Description
1	3/4 IN CONDUIT
2	WALL MOUNT
3	LOCK NUT(3/4 IN)
4	Access Point

WALL MOUNT INSTALL



No	Description
1	Access Point
2	4x(Bolt 4x30 mm)
3	WALL MOUNT
4	4xP_Expansion-Pipe
5	WALL

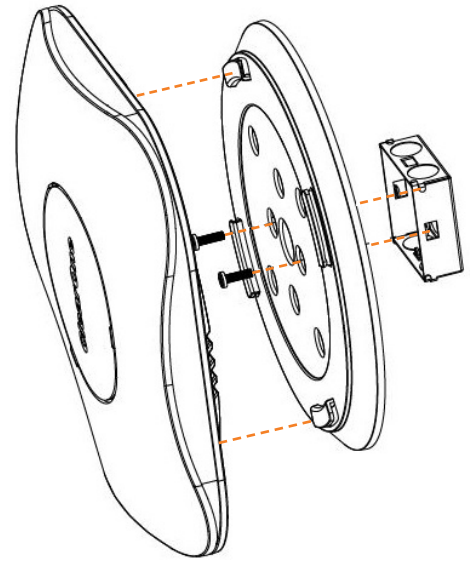
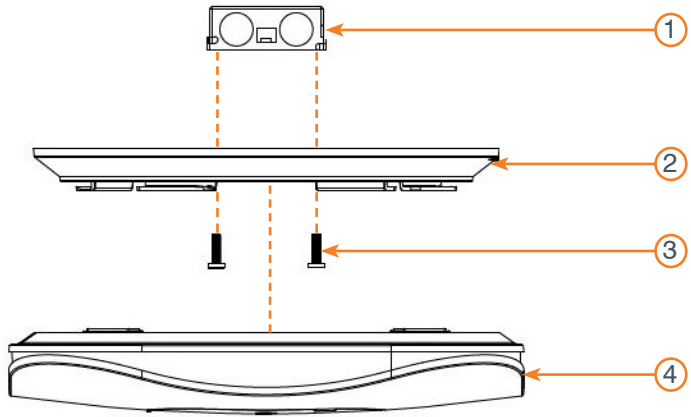
VESA MOUNT INSTALL



No	Description
1	Access Point
2	4x(M4x16 mm PAN)
3	WALL MOUNT
4	VESA BRACKET
5	4xM4 NUT WITH WASHERS

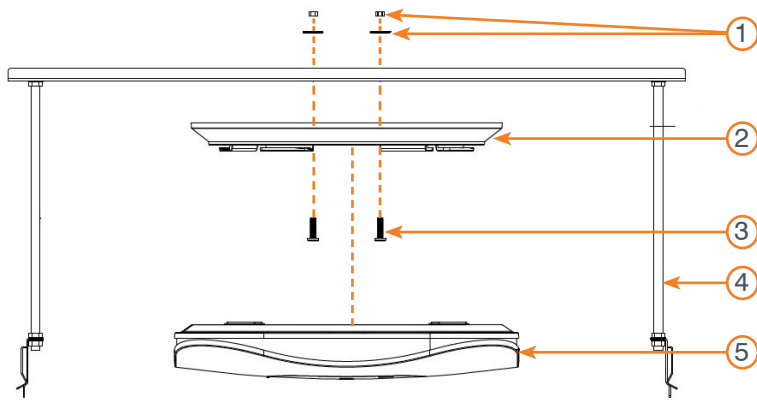
JUNCTION BOX INSTALL

3D VIEW

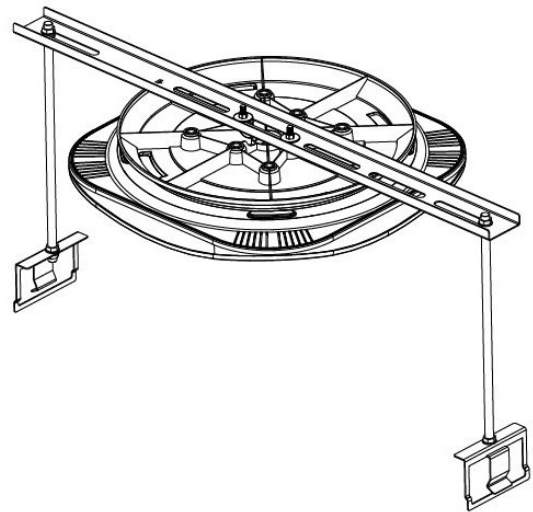


No	Description
1	JUNCTION BOX
2	WALL MOUNT
3	2x(M4x16 mm PAN)
4	Access Point

ABOVE CEILING TILE INSTALL

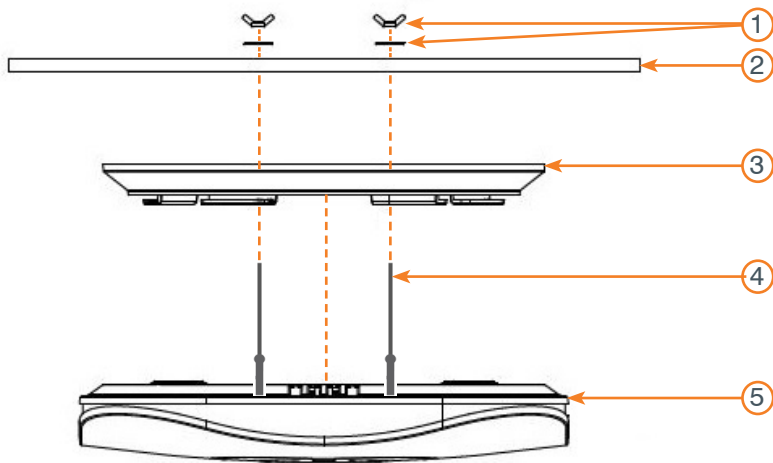


3D VIEW

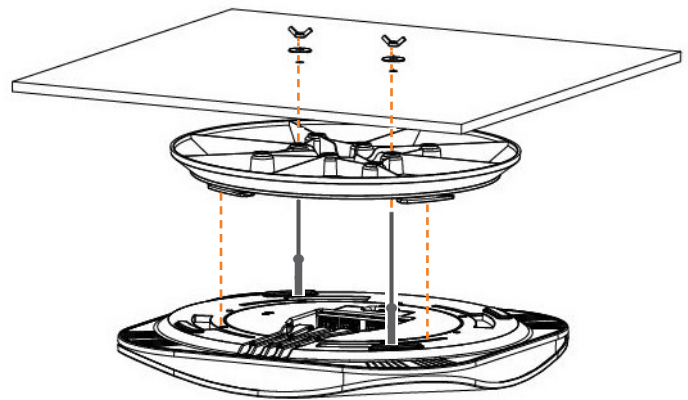


No	Description
1	2xM4 NUT WITH WASHERS
2	WALL MOUNT
3	2x(M4x16 mm PAN)
4	CEILING TILE (TW-AC-BKT-L)
5	Access Point

CEILING TILE INSTALL

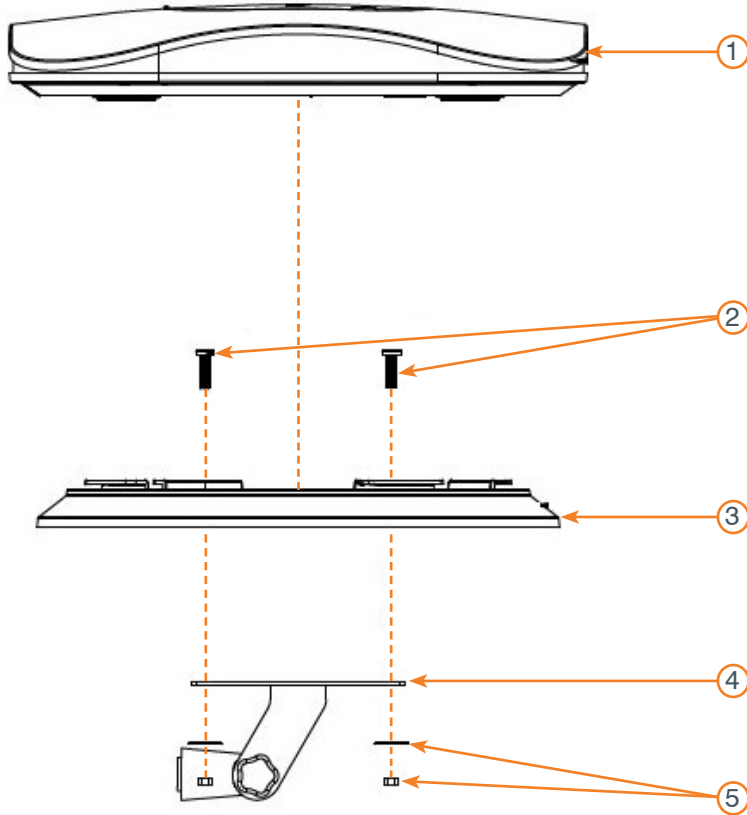


3D VIEW

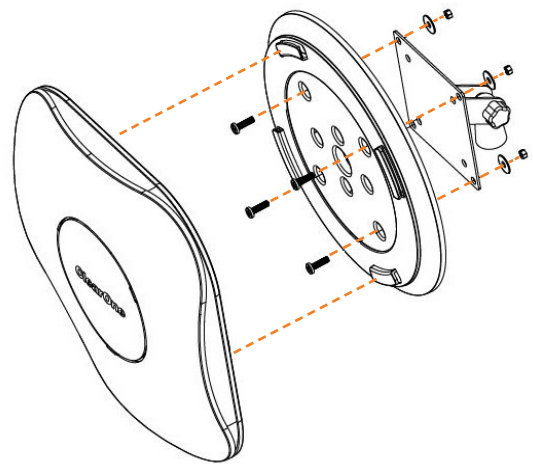


No	Description
1	2x WING-NUT M4 WITH SCREW WASHER PLATE (Ø 18~ Ø 20)
2	WALL MOUNT
3	2x(M4x16 mm PAN)
4	Seismic Cables
5	Access Point

MIC STAND MOUNT INSTALL



3D VIEW



No	Description
1	Access Point
2	4x(M4x16 mm PAN)
3	WALL MOUNT
4	MIC STAND MOUNT
5	4xM4 NUT WITH WASHERS

7. Safety Precautions

This product should be placed on a smooth flat surface, or bracket-mounted, if desired. Avoid contact with any liquid, gas or solid material that may cause corrosion.

8. Service and Support

If you need assistance setting up or operating your product, please contact us. We welcome your comments so we can continue to improve our products and better meet your needs.

Technical Support Telephone: 1.800.283.5936

E-mail: audiotechsupport@clearone.com

Web site: www.ClearOne.com